

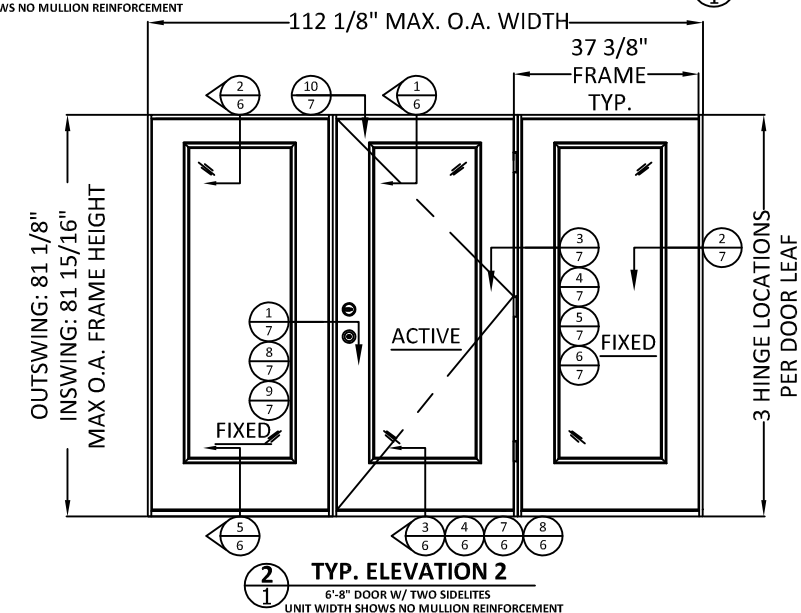
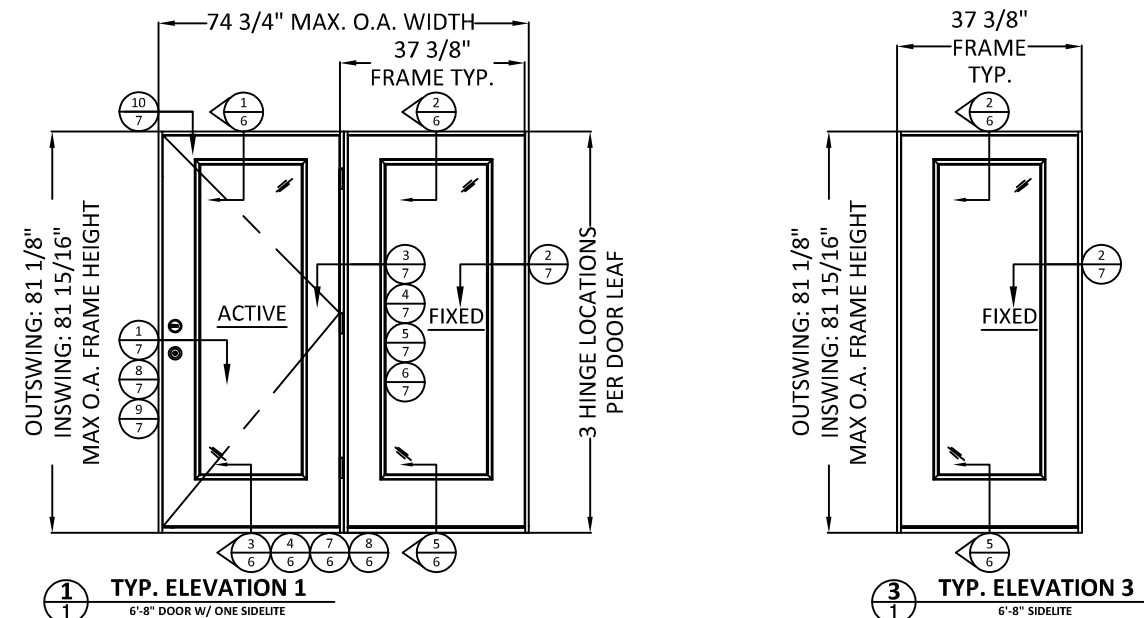
JELD WEN® WINDOWS & DOORS

DESIGN PRO / SMOOTH PRO FULL LITE NON-IMPACT

FOR USE IN THE HIGH VELOCITY HURRICANE ZONE (HVHZ)

GENERAL NOTES:

- THE PRODUCT SHOWN HEREIN IS DESIGNED AND MANUFACTURED TO COMPLY WITH THE CURRENT FLORIDA BUILDING CODE (FBC), INCLUDING HVHZ AND HAS BEEN EVALUATED ACCORDING TO THE FOLLOWING:
 - TAS 202-94
- ADEQUACY OF THE EXISTING STRUCTURAL CONCRETE/MASONRY OR 2X FRAMING AS A MAIN WIND FORCE RESISTING SYSTEM CAPABLE OF WITHSTANDING AND TRANSFERRING APPLIED PRODUCT LOADS TO THE FOUNDATION IS THE RESPONSIBILITY OF THE ENGINEER OR ARCHITECT OF RECORD FOR THE PROJECT OF INSTALLATION.
- THE INSTALLATION DETAILS DESCRIBED HEREIN ARE GENERIC AND MAY NOT REFLECT ACTUAL CONDITIONS FOR A SPECIFIC SITE. IF SITE CONDITIONS CAUSE INSTALLATION TO DEVIATE FROM THE REQUIREMENTS DETAILED HEREIN, A LICENSED ENGINEER OR ARCHITECT SHALL PREPARE SITE SPECIFIC DOCUMENTS FOR USE WITH THIS DOCUMENT.
- APPROVED IMPACT PROTECTIVE SYSTEM IS **REQUIRED** ON THIS PRODUCT IN AREAS REQUIRING IMPACT RESISTANCE.
- GLASS MEETS THE REQUIREMENTS OF ASTM E 1300 GLASS CHARTS. SEE SHEET 4 FOR GLAZING DETAILS.
- FULL LITE APPROVAL COVERS USE OF FRACTIONAL GLAZING, INCLUDING INTERNAL GRID, BLINDS BETWEEN GLASS, DECORATIVE AND EXTERNAL AND INTERNAL WROUGHT IRON. RADIUS (SHAPED) LITES ARE QUALIFIED FOR 6'-8" DOORS AT +50/-55 DP ONLY.
- NOTE: OPERATING AFCO H-497 SILL MEETS WATER INFILTRATION AT WATER TEST PRESSURE (WTP) OF 9.75 PSF. FIXED SIDELITE MEETS WATER INFILTRATION AT WTP OF 7.5 PSF. REMAINING SILLS NOT RATED FOR WATER INFILTRATION. IF AUTHORITY HAVING JURISDICTION REQUIRES THAT PRODUCT MEETS THIS REQUIREMENT, PRODUCT SHALL BE USED WHEN INSTALLED AT LOCATION PROTECTED BY OVERHANG SUCH THAT OVERHANG (OH) RATIO = OH LENGTH ÷ OH HEIGHT IS ≥ 1.0



- NOTES:**
- ALL DOORS SHOWN IN CONFIGURATIONS ON THIS SHEET MAY BE LEFT HAND OR RIGHT HAND OPERATING DOORS.
 - SIDELITE MAY BE USED IN LIEU OF DOOR IN CONFIGURATIONS SHOWN ABOVE AS LONG AS O.A. DIMENSIONS ARE NOT SURPASSED.

TABLE OF CONTENTS		
SHEET	REVISION	SHEET DESCRIPTION
1	A	TYPICAL ELEVATIONS, DESIGN PRESSURES, AND GENERAL NOTES
2	A	TYPICAL ELEVATIONS
3	A	TYPICAL ANCHOR LAYOUTS AND NOTES
4	A	QUALIFIED CONFIGURATIONS & GLAZING DETAIL
5	-	OPTIONAL 2X BUCK ANCHORING DETAILS
6	A	VERTICAL ASSEMBLIES
7	A	HORIZONTAL ASSEMBLIES
8	A	WOOD SUBSTRATES
9	A	CONCRETE SUBSTRATES
10	A	COMPONENTS & BILL OF MATERIALS

CONFIGURATION	MAX. OVERALL NOMINAL SIZE		DESIGN PRESSURE (PSF)								MISSILE IMPACT RATING
			FINGER-JOINTED PINE				ALL OTHER MATERIALS				
			INSWING		OUTSWING		INSWING		OUTSWING		
WIDTH	HEIGHT	POS.	NEG.	POS.	NEG.	POS.	NEG.	POS.	NEG.		
O	3'-0"	6'-8"	50*	55	50*	55	50*	50	50*	50	NON-IMPACT
O,X,O	9'-0"	6'-8"	50*	55	50*	55	50*	50	50*	50	NON-IMPACT
O,X,O VENT LITE	9'-0"	6'-8"	50*	55	50*	55	50*	50	50*	50	NON-IMPACT
O,X,O RADIUS	9'-0"	6'-8"	50*	55	50*	55	50*	50	50*	50	NON-IMPACT
O	3'-0"	8'-0"	45*	45	45*	45	45*	45	45*	45	NON-IMPACT
O,X,O	9'-0"	8'-0"	45*	45	45*	45	45*	45	45*	45	NON-IMPACT
X,O	6'-0"	6'-8"	50*	55	50*	55	50*	50	50*	50	NON-IMPACT
X,O VENT LITE	6'-0"	6'-8"	50*	55	50*	55	50*	50	50*	50	NON-IMPACT
X,O RADIUS	6'-0"	6'-8"	50*	50	50*	50	50*	50	50*	50	NON-IMPACT
X,O	6'-0"	8'-0"	45*	45	45*	45	45*	45	45*	45	NON-IMPACT

*SEE GENERAL NOTE 7, SHEET 1, FOR WATER INFILTRATION APPROVED SILLS.

PREPARED BY:

BUILDING DROPS, INC.
 398 E. DANIA BEACH BLVD., STE. 338
 DANIA BEACH, FL 33004
 PH: (954)399-8478
 FAX: (954)744.4738
 WEB: www.buildingdrops.com

TITLE: DESIGN PRO/SMOOTH PRO FULL LITE NON-IMPACT
 TYPICAL ELEVATIONS, DESIGN PRESSURES, AND GENERAL NOTES
 3737 LAKEPORT BLVD.,
 KLAMATH FALLS, OR 97601
 PH: (541)882-3451
 FAX: (541)850-2609

REMARKS	BY	DATE
Add Vent Lite Option	GL	5/5/14
Add ADA, Multi-Point & Fixed Sidelite	GL	6/19/14
Reference DWG. #A010866B	AM	09/11/19

THE INSTALLATION DETAILS DESCRIBED HEREIN ARE GENERIC AND MAY NOT REFLECT ACTUAL CONDITIONS FOR A SPECIFIC SITE. IF SITE CONDITIONS CAUSE INSTALLATION TO DEVIATE FROM THE REQUIREMENTS DETAILED HEREIN, A LICENSED ENGINEER OR ARCHITECT SHALL PREPARE SITE SPECIFIC DOCUMENTS FOR USE WITH THIS DOCUMENT.



DATE: 02.05.14
 DWG. BY: GL/TJM
 CHK. BY: SS/MSS
 SCALE: NTS
 DWG. #: D015712
 SHEET: OF 10

PREPARED BY:

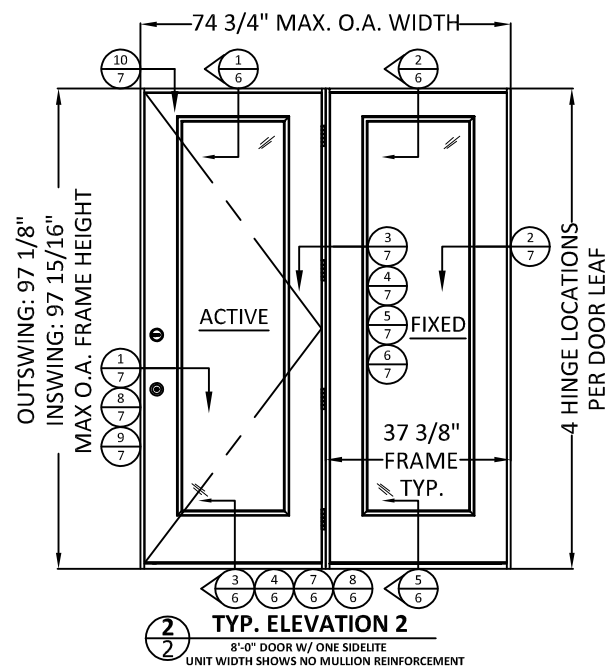
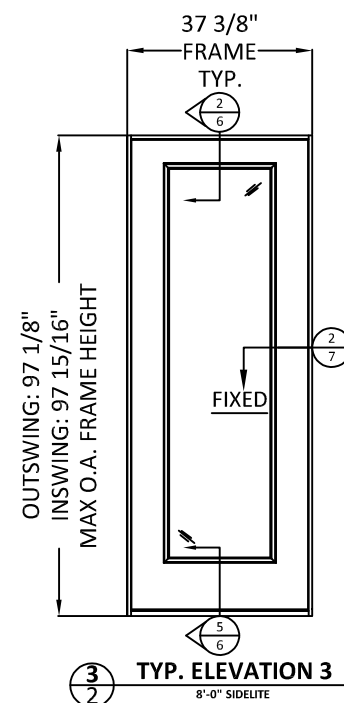
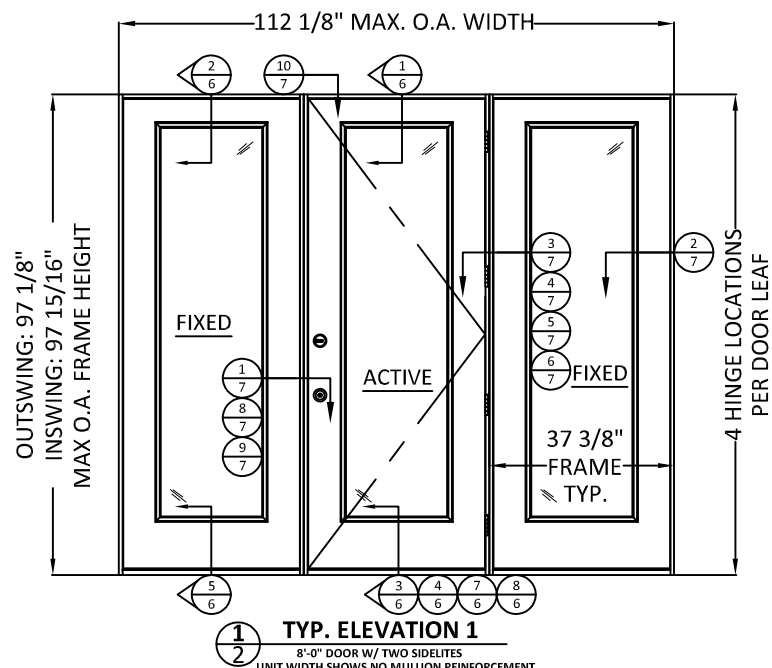


BUILDING DROPS, INC.
 398 E. DANIA BEACH BLVD., STE. 338
 DANIA BEACH, FL 33004
 PH: (954)399-8478
 FAX: (954)744.4738
 WEB: www.buildingdrops.com

TITLE: DESIGN PRO/SMOOTH PRO FULL LITE
 NON-IMPACT
 TYPICAL ELEVATIONS

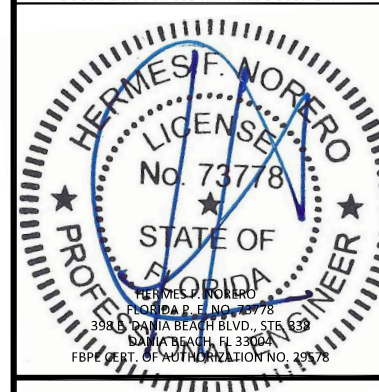
3737 LAKEPORT BLVD.,
 KLAMATH FALLS, OR 97601
 PH: (541)882-3451
 FAX: (541)850-2609

JELD-WEN
 WINDOWS & DOORS



REMARKS	BY	DATE
Add Vent Lite Option	GL	5/5/14
Add ADA, Multi-Point & Fixed Sidelite	GL	6/19/14
Reference DWG. #A010866B	AM	09/11/19

THE INSTALLATION DETAILS DESCRIBED HEREIN ARE GENERIC AND MAY NOT REFLECT ACTUAL CONDITIONS FOR A SPECIFIC SITE. IF SITE CONDITIONS CAUSE INSTALLATION TO DEVIATE FROM THE REQUIREMENTS DETAILED HEREIN, A LICENSED ENGINEER OR ARCHITECT SHALL PREPARE SITE SPECIFIC DOCUMENTS FOR USE WITH THIS DOCUMENT.



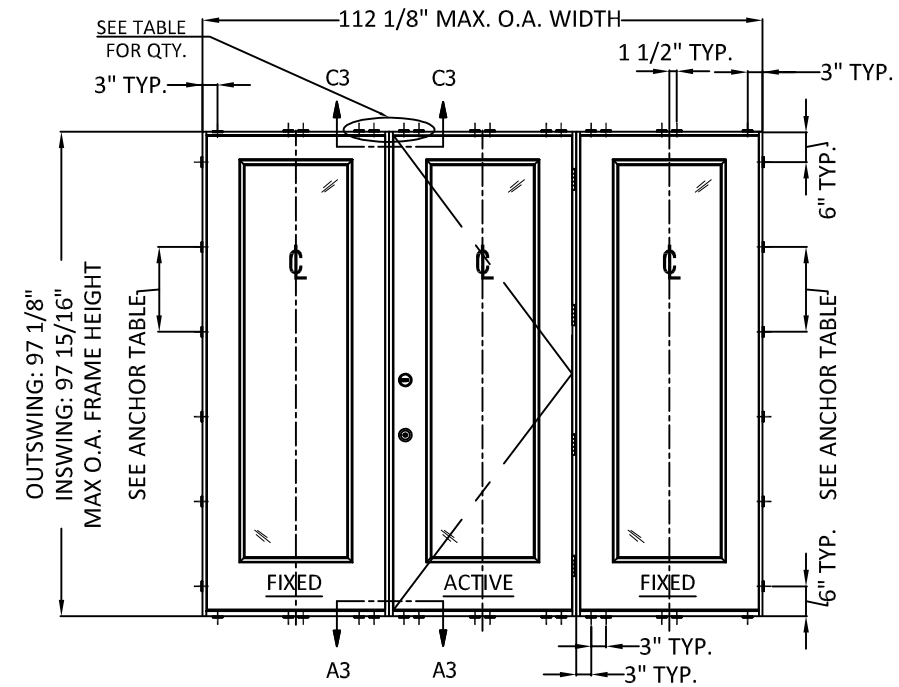
DATE:	02.05.14
DWG. BY:	GL/TJM
CHK. BY:	SS/MSS
SCALE:	NTS
DWG. #:	D015712
SHEET:	OF 10

INSTALLATION NOTES:

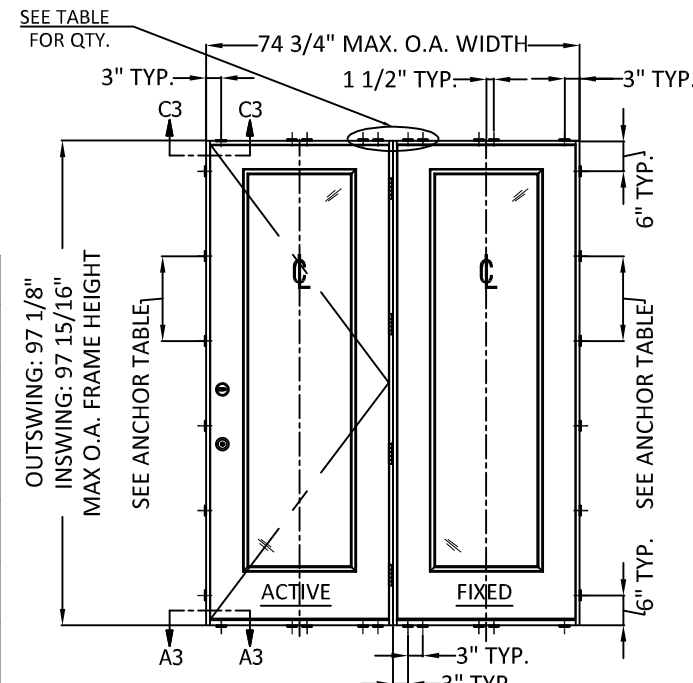
- ONE (1) INSTALLATION ANCHOR IS REQUIRED AT EACH ANCHOR LOCATION SHOWN.
- SHIM AS REQUIRED AT EACH INSTALLATION ANCHOR WITH LOAD BEARING SHIM(S). MAXIMUM ALLOWABLE SHIM STACK TO BE 1/4 INCH. SHIM WHERE SPACE OF 1/16 INCH OR GREATER OCCURS. SHIM(S) SHALL BE CONSTRUCTED OF HIGH DENSITY PLASTIC OR BETTER.
- MINIMUM EMBEDMENT AND EDGE DISTANCE EXCLUDE WALL FINISHES, INCLUDING BUT NOT LIMITED TO STUCCO, FOAM, BRICK VENEER, AND SIDING.
- INSTALLATION ANCHORS AND ASSOCIATED HARDWARE MUST BE MADE OF CORROSION RESISTANT MATERIAL OR HAVE A CORROSION RESISTANT COATING, AND SHALL BE INSTALLED IN ACCORDANCE WITH ANCHOR MANUFACTURER'S INSTALLATION INSTRUCTIONS.
- FOR HOLLOW BLOCK AND GROUT FILLED BLOCK, DO NOT INSTALL INSTALLATION ANCHORS INTO MORTAR JOINTS. EDGE DISTANCE IS MEASURED FROM FREE EDGE OF BLOCK OR EDGE OF MORTAR JOINT INTO FACE SHELL OF BLOCK.
- FOR 2X STUD CONSTRUCTION, ANCHORING OF THESE PRODUCTS SHALL BE THE SAME AS FOR 2X BUCK CONCRETE/MASONRY CONSTRUCTION.
- INSTALLATION ANCHOR CAPACITIES FOR PRODUCTS HEREIN ARE BASED ON SUBSTRATE MATERIALS WITH THE FOLLOWING PROPERTIES:
 - WOOD - MINIMUM SPECIFIC GRAVITY OF 0.55.
 - CONCRETE - MINIMUM COMPRESSIVE STRENGTH OF 3000 PSI.
 - GROUT-FILLED CMU- UNIT STRENGTH CONFORMS TO ASTM C-90 WITH MINIMUM COMPRESSIVE STRENGTH OF 2000 PSI AND GROUT CONFORMS TO ASTM C 476, MINIMUM GROUT COMPRESSIVE STRENGTH OF 2000 PSI.
 - HOLLOW BLOCK CMU - UNIT STRENGTH CONFORMS TO ASTM C-90 WITH MINIMUM COMPRESSIVE STRENGTH OF 2000 PSI.
- SEE SHEETS 8 AND 9 FOR MORE DETAILS OF THE INSTALLATION REQUIREMENTS, INCLUDING ANCHOR LOCATIONS, EDGE DISTANCES, EMBEDMENTS, AND SHIM SPACING.
- OPTIONALLY, ANCHORS CAN BE PLACED IN NARROW SECTION OF HEAD OR JAMB AS LONG AS MINIMUM EMBEDMENT AND EDGE DISTANCE ARE ACHIEVED.

ANCHOR TABLE

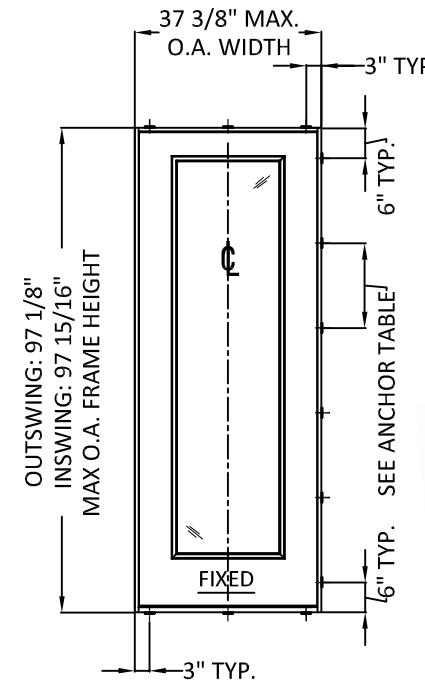
ANCHOR TYPE	ANCHOR SIZE	SUBSTRATE	MIN. EMBEDMENT	MIN. EDGE DISTANCE	6'8" DOORS		8'0" DOORS	
					MAX. O.C. SPACING AT JAMBS	# OF ANCHORS AT HEAD/SILL CLUSTERS	MAX. O.C. SPACING AT JAMBS	# OF ANCHORS AT HEAD/SILL CLUSTERS
WOOD SCREW	#10	2X WOOD BUCK OR FRAMING	1-1/2"	3/4"	17-1/2"	4	17-1/4"	4
ITW TAPCON	3/16"	CONCRETE/CMU	1-1/4"	2-1/2"	17-1/2"	4	17-1/4"	4
ELCO ULTRACON	1/4"	CONCRETE/CMU	1-3/8" - CONC. 1-1/4" - CMU	1"	17-1/2"	4	17-1/4"	4
ITW TAPCON	3/16"	CONCRETE/CMU	1-1/4"	1"	11-5/8"	8	14-3/8"	6



1 TYP. ANCHOR LAYOUT
TYP. W/ TWO SIDELITES
6'-8" OR 8'-0" DOOR HEIGHT

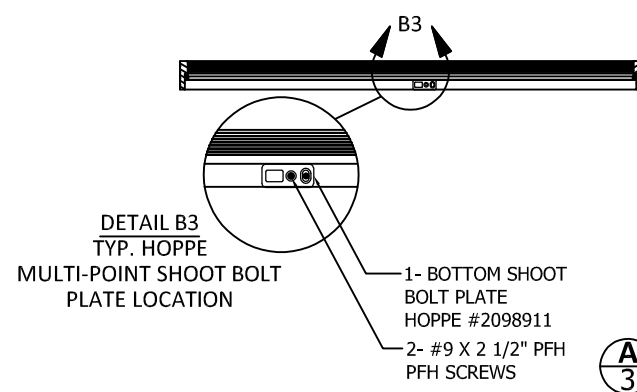


2 TYP. ANCHOR LAYOUT
TYP. W/ ONE SIDELITE
6'-8" OR 8'-0" DOOR HEIGHT

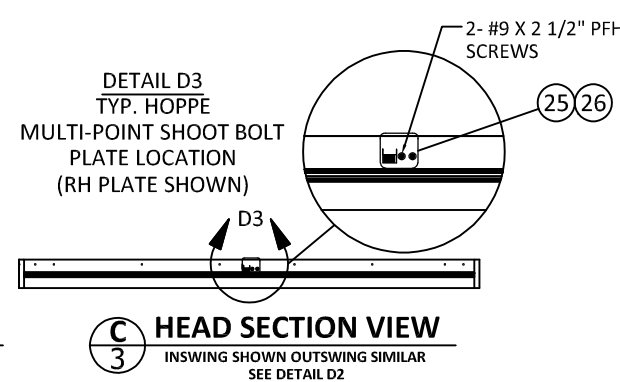


3 TYP. ANCHOR LAYOUT
TYP. FIXED SIDELITE
6'-8" OR 8'-0" DOOR HEIGHT

- NOTES:**
- ALL DOORS SHOWN IN CONFIGURATIONS ON THIS SHEET MAY BE LEFT HAND OR RIGHT HAND OPERATING DOORS.
 - SIDELITE MAY BE USED IN LIEU OF DOOR IN CONFIGURATIONS SHOWN ABOVE AS LONG AS O.A. DIMENSIONS ARE NOT SURPASSED.



A 3 SILL SECTION VIEW
INSWING SHOWN OUTSWING SIMILAR
SEE DETAIL B2



C 3 HEAD SECTION VIEW
INSWING SHOWN OUTSWING SIMILAR
SEE DETAIL D2

PREPARED BY:

BUILDING DROPS, INC.
398 E. DANIA BEACH BLVD., STE. 338
DANIA BEACH, FL 33004
PH: (954)399-8478
FAX: (954)744.4738
WEB: www.buildingdrops.com

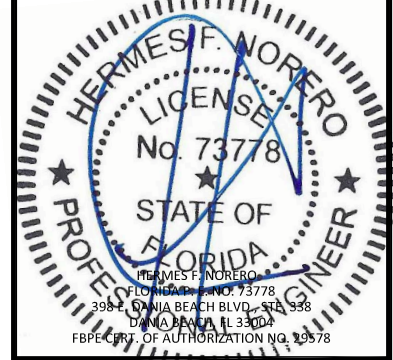
TITLE: DESIGN PRO/SMOOTH PRO FULL LITE NON-IMPACT
TYPICAL ANCHOR LAYOUTS AND NOTES

3737 LAKEPORT BLVD.,
KLAMATH FALLS, OR 97601
PH: (541)882-3451
FAX: (541)850-2609

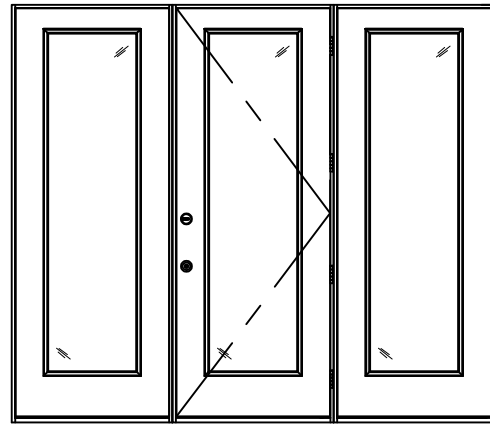
JELD-WEN
WINDOWS & DOORS

REMARKS	BY	DATE
Add Vent Lite Option	GL	5/5/14
Add ADA, Multi-Point	GL	6/19/14
& Fixed Sidelite		
Reference DWG. #A010866B	AM	09/11/19

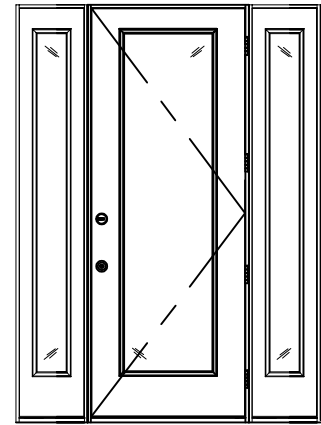
THE INSTALLATION DETAILS DESCRIBED HEREIN ARE GENERIC AND MAY NOT REFLECT ACTUAL CONDITIONS FOR A SPECIFIC SITE. IF SITE CONDITIONS CAUSE INSTALLATION TO DEVIATE FROM THE REQUIREMENTS DETAILED HEREIN, A LICENSED ENGINEER OR ARCHITECT SHALL PREPARE SITE SPECIFIC DOCUMENTS FOR USE WITH THIS DOCUMENT.



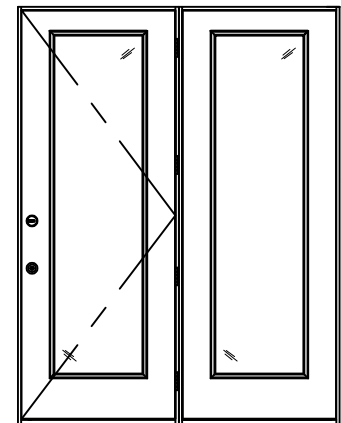
DATE: 02.05.14
DWG. BY: GL/TJM
CHK. BY: SS/MSS
SCALE: NTS
DWG. #: D015712
SHEET: OF 10



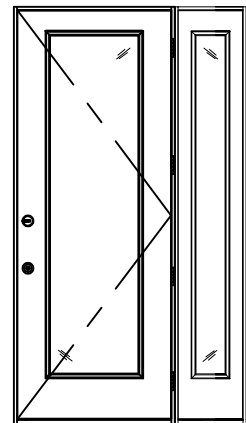
1
4 **O,X,O ELEVATION**
WITH 3'0" SIDELITES



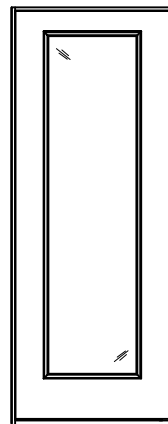
2
4 **O,X,O ELEVATION**
WITH 1'3" SIDELITES



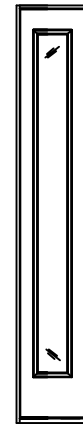
3
4 **X,O ELEVATION**
WITH 3'0" SIDELITE



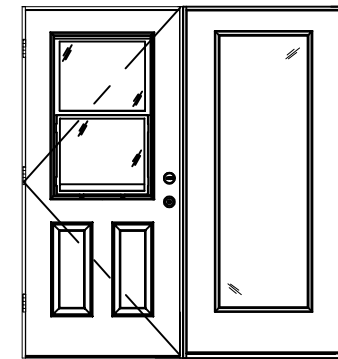
4
4 **X,O ELEVATION**
WITH 1'3" SIDELITE



7
4 **O ELEVATION**
3'0" SIDELITE

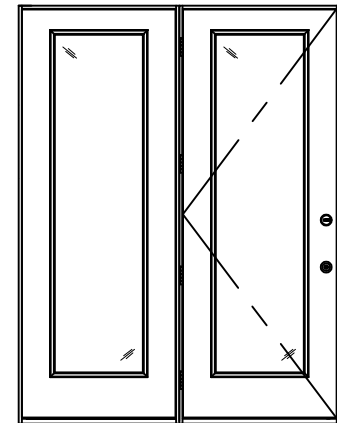


8
4 **O ELEVATION**
1'3" SIDELITE

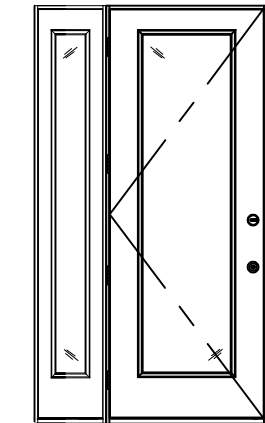


9
4 **X,O ELEVATION**
WITH OPTIONAL VENT LITE DOOR
SEE DETAIL BELOW

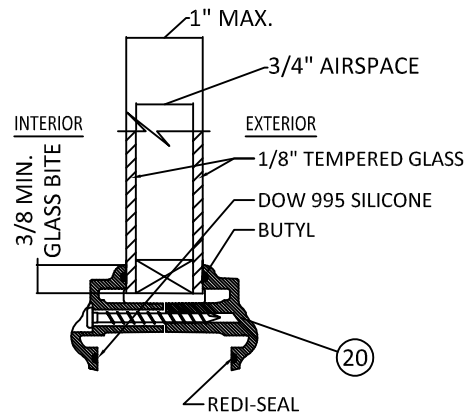
NOTE:
ALL DOORS SHOWN IN CONFIGURATIONS
ON THIS SHEET MAY BE LEFT HAND OR
RIGHT HAND OPERATING DOORS.



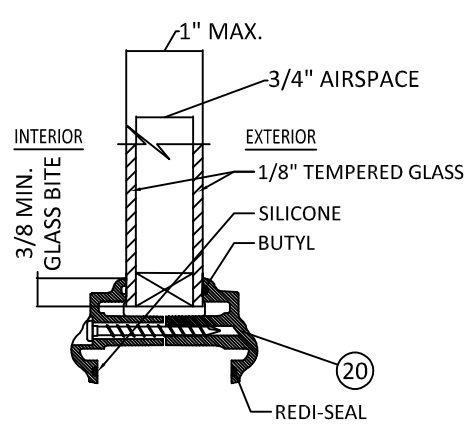
5
4 **X,O ELEVATION**
WITH 3'0" SIDELITE



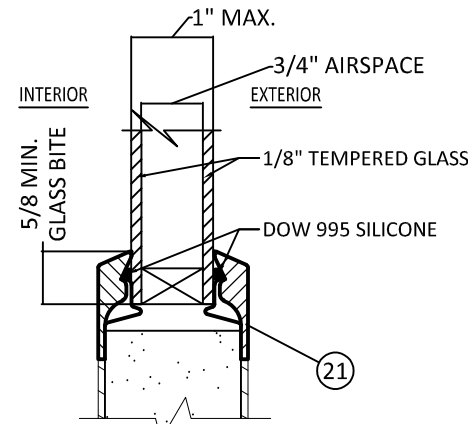
6
4 **X,O ELEVATION**
WITH 1'3" SIDELITE



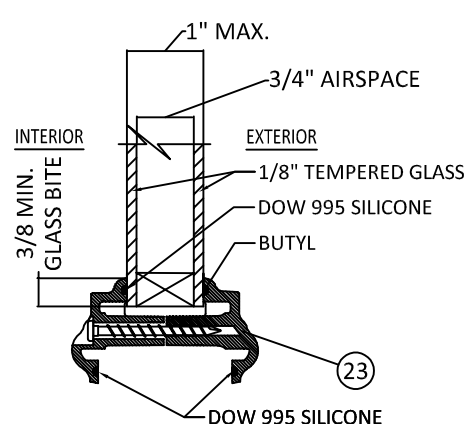
10
4 **6'-8" GLAZING DETAIL**
20 1/2" MAX. D.L.O. WIDTH
62 1/2" MAX. D.L.O. HEIGHT



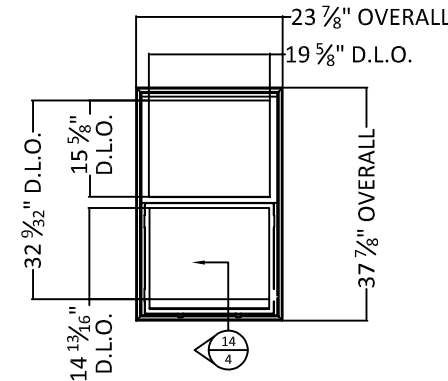
11
4 **8'-0" GLAZING DETAIL**
20 1/2" MAX. D.L.O. WIDTH
78 1/2" MAX. D.L.O. HEIGHT



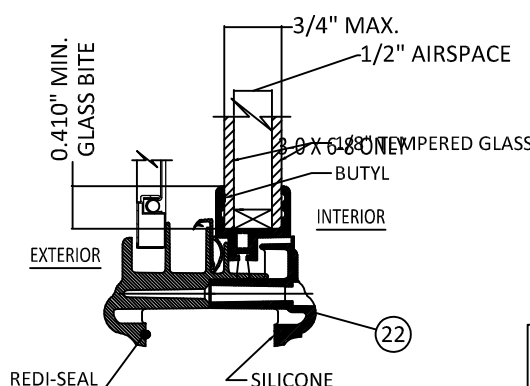
12
4 **FLUSH GLAZE DETAIL**
23 7/8" MAX. D.L.O. WIDTH
78 7/8" MAX. D.L.O. HEIGHT



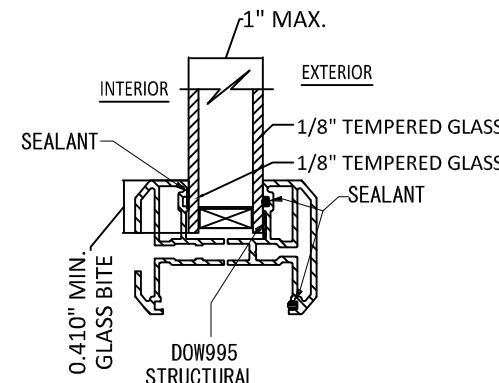
13
4 **GLAZING DETAIL**
FOR OVAL, SUNBURST, AND ROUND TOPS
IN 6'-8" UNITS AT DP +50/-55 PSF ONLY



22
4 **ODL VENT LITE ASSEMBLY**



14
4 **GLAZING DETAIL**
FOR HALF LITE VENT LITES
IN 6'-8" UNITS ONLY



15
4 **GLAZING DETAIL OPTION**

20 1/2" MAX D.L.O. WIDTH
78 1/2" MAX D.L.O. HEIGHT
3-0 X 6-8 - DP 50/55
6-0 X 6-8 - DP 50/55
3-0 X 8-0 - DP 45
6-0 X 8-0 - DP 45

NOTE:
FRACTIONAL GLAZING, INCLUDING INTERNAL GRID, BLINDS
BETWEEN GLASS, DECORATIVE EXTERNAL AND INTERNAL
WROUGHT IRON AND RADIUS (SHAPED) LITES ARE APPROVED
IN ALL GLAZING DETAILS SHOWN ABOVE.

PREPARED BY:



BUILDING DROPS, INC.
398 E. DANIA BEACH BLVD., STE. 338
DANIA BEACH, FL 33004
PH: (954)399-8478
FAX: (954)744-4738
WEB: www.buildingdrops.com

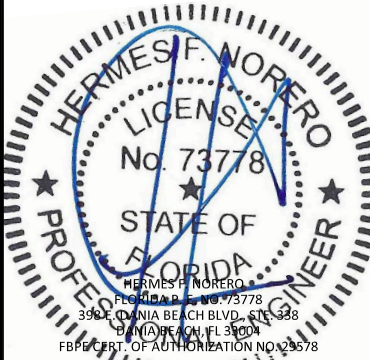
TITLE: **DESIGN PRO/SMOOTH PRO FULL LITE
NON-IMPACT
QUALIFIED CONFIGURATIONS
& GLAZING DETAIL**

3737 LAKEPORT BLVD.,
KLAMATH FALLS, OR 97601
PH: (541)882-3451
FAX: (541)850-2609

JELD-WEN
WINDOWS & DOORS

REMARKS	BY	DATE
Add Vent Lite Option	GL	5/5/14
Add ADA, Multi-Point & Fixed Sidelite	GL	6/19/14
Reference DWG. #A010866B	AM	09/11/19

THE INSTALLATION DETAILS DESCRIBED HEREIN ARE GENERIC
AND MAY NOT REFLECT ACTUAL CONDITIONS FOR A SPECIFIC
SITE. IF SITE CONDITIONS CAUSE INSTALLATION TO DEVIATE
FROM THE REQUIREMENTS DETAILED HEREIN, A LICENSED
ENGINEER OR ARCHITECT SHALL PREPARE SITE SPECIFIC
DOCUMENTS FOR USE WITH THIS DOCUMENT.



DATE: **02.05.14**
DWG. BY: **GL/TJM** CHK. BY: **SS/MSS**
SCALE: **NTS**
DWG. #: **D015712**
SHEET: **4** OF 10

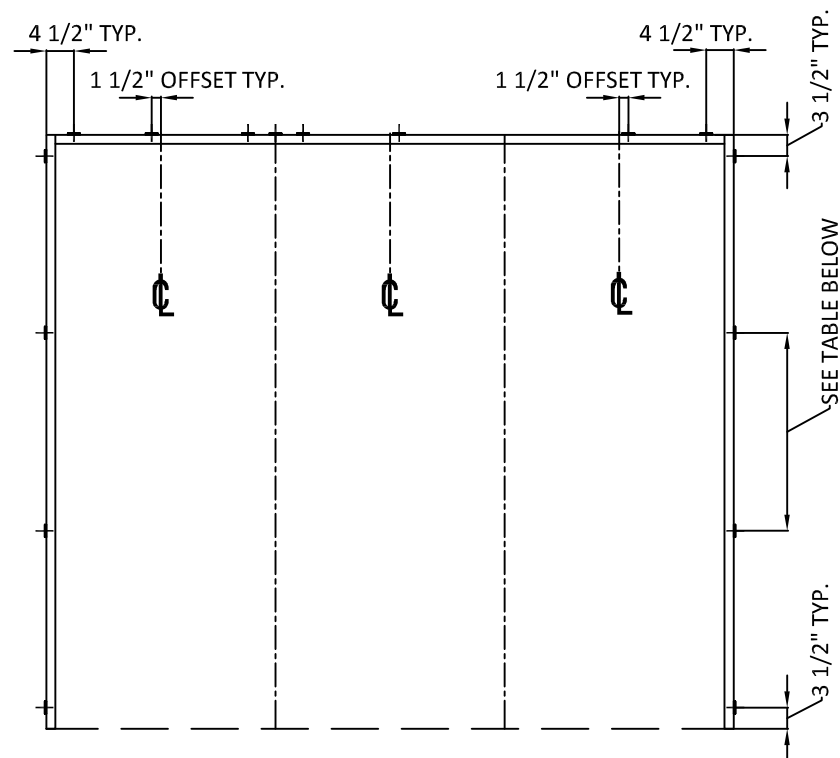
PREPARED BY:



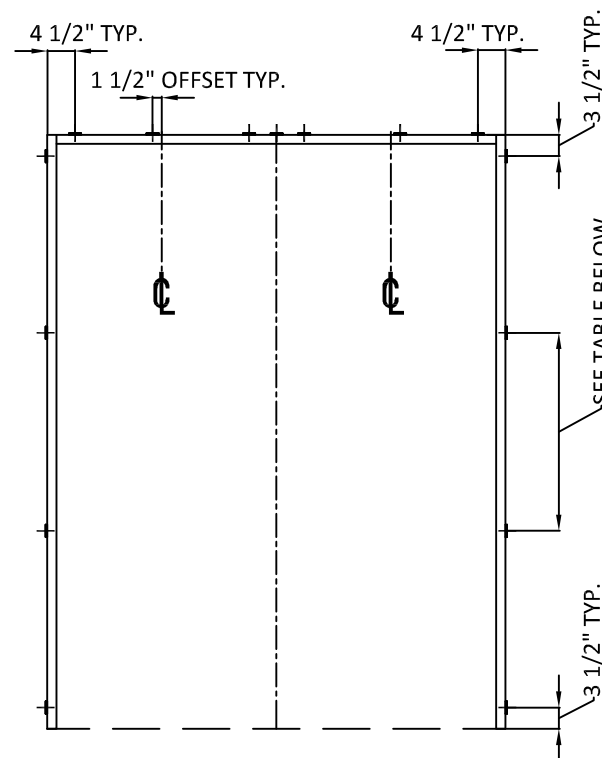
BUILDING DROPS, INC.
 398 E. DANIA BEACH BLVD., STE. 338
 DANIA BEACH, FL 33004
 PH: (954)399-8478
 FAX: (954)744.4738
 WEB: www.buildingdrops.com

TITLE: DESIGN PRO/SMOOTH PRO FULL LITE
 NON-IMPACT
 OPTIONAL 2X BUCK
 ANCHORING DETAILS

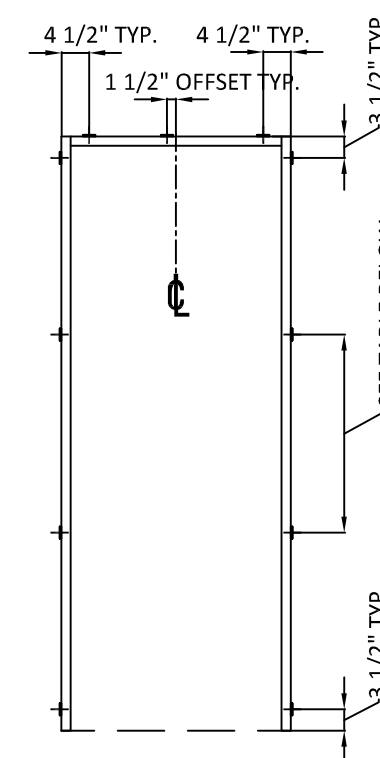
3737 LAKEPORT BLVD.,
 KLAMATH FALLS, OR 97601
 PH: (541)882-3451
 FAX: (541)850-2609



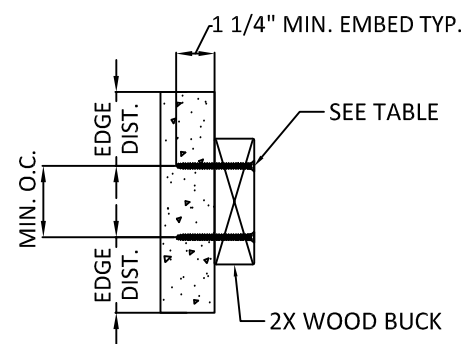
1 TYP. ANCHOR LAYOUT
 5 OPTIONAL 2X BUCK IN CONCRETE/MASONRY



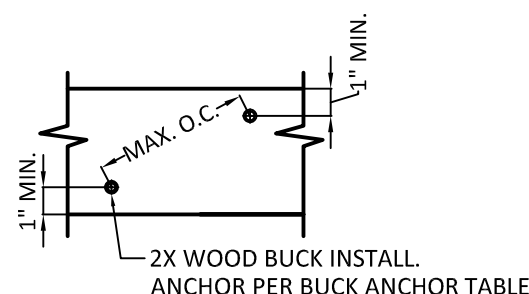
2 TYP. ANCHOR LAYOUT
 5 OPTIONAL 2X BUCK IN CONCRETE/MASONRY



3 TYP. ANCHOR LAYOUT
 5 OPTIONAL 2X BUCK IN CONCRETE/MASONRY



4 2X WOOD BUCK INSTALL.
 5 CROSS SECTION



5 2X WOOD BUCK INSTALL.
 5 SIDE VIEW

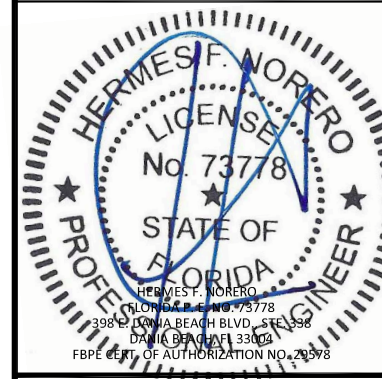
2X BUCK ANCHOR TABLE							
ANCHOR TYPE	ANCHOR SIZE	SUBSTRATE	MIN. EMBEDMENT	MIN. EDGE DIST. TO SUBSTRATE	MIN. CENTER TO CENTER DISTANCE	6'8" DOORS	8'0" DOORS
						MAX. O.C. SPACING AT JAMBS	MAX. O.C. SPACING AT JAMBS
ITW TAPCON	1/4"	CONCRETE/CMU	1-1/4"	2-1/2"	4"	25"	30-1/4"
ELCO ULTRACON	1/4"	CONCRETE/CMU	1-3/8" - CONC. 1-1/4" - CMU	1"	4"	25"	30-1/4"

NOTES:

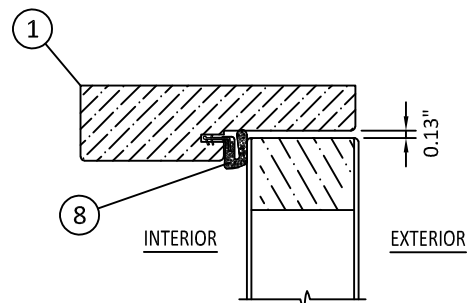
- 2X BUCK IS NOT FOR INSTALLATION AT SILL. THRESHOLD SHALL BE FASTENED IN ACCORDANCE WITH ANCHOR LOCATIONS SHOWN ON SHEET 3.
- ANCHORS MAY BE STAGGERED AS SHOWN IN DETAIL 5/5.

REMARKS	BY	DATE
Add Vent Lite Option	GL	5/5/14
Add ADA, Multi-Point & Fixed Sidelite	GL	6/19/14
Reference DWG. #A010866B	AM	09/11/19

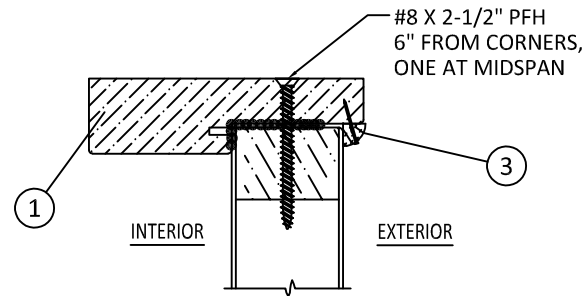
THE INSTALLATION DETAILS DESCRIBED HEREIN ARE GENERIC AND MAY NOT REFLECT ACTUAL CONDITIONS FOR A SPECIFIC SITE. IF SITE CONDITIONS CAUSE INSTALLATION TO DEVIATE FROM THE REQUIREMENTS DETAILED HEREIN, A LICENSED ENGINEER OR ARCHITECT SHALL PREPARE SITE SPECIFIC DOCUMENTS FOR USE WITH THIS DOCUMENT.



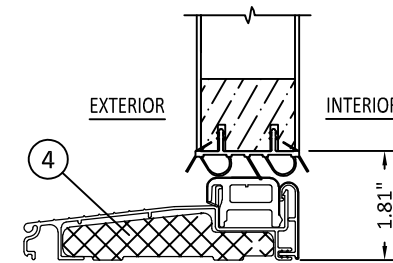
DATE:	02.05.14
DWG. BY:	GL/TJM
CHK. BY:	SS/MSS
SCALE:	NTS
DWG. #:	D015712
SHEET:	OF 10



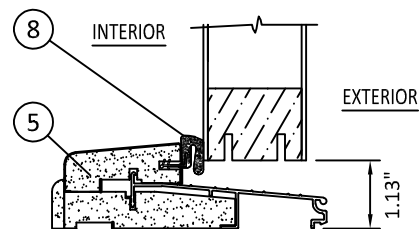
1
6 **OPERABLE HEAD**
OUTSWING SHOWN - INSWING SIMILAR



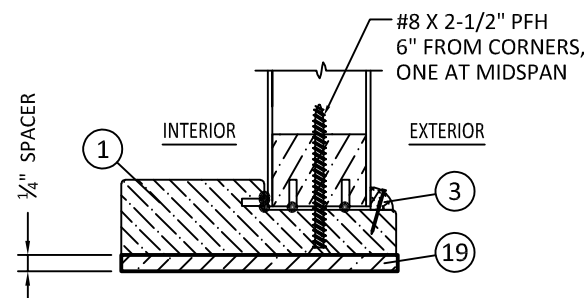
2
6 **SIDELITE HEAD**
OUTSWING SHOWN - INSWING SIMILAR



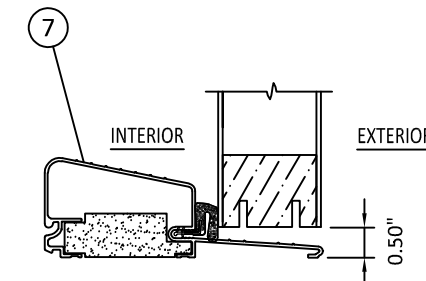
3
6 **OPERABLE SILL**
INSWING



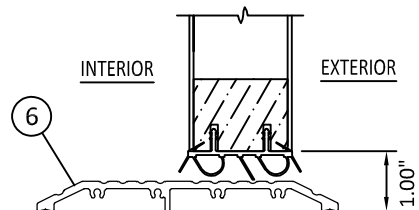
4
6 **OPERABLE SILL**
OUTSWING



5
6 **SIDELITE SILL (MULLED UNIT)**
OUTSWING SHOWN - INSWING SIMILAR



7
6 **OPERABLE SILL**
OUTSWING
OPTIONAL AFCO H-497



8
6 **OPERABLE ADA SILL**
INSWING/OUTSWING

PREPARED BY:



BUILDING DROPS, INC.
398 E. DANIA BEACH BLVD., STE. 338
DANIA BEACH, FL 33004
PH: (954)399-8478
FAX: (954)744.4738
WEB: www.buildingdrops.com

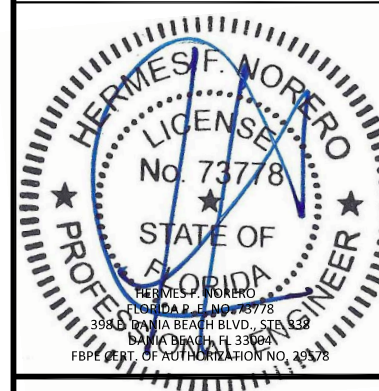
TITLE: DESIGN PRO/SMOOTH PRO FULL LITE
NON-IMPACT
VERTICAL ASSEMBLIES

3737 LAKEPORT BLVD.,
KLAMATH FALLS, OR 97601
PH: (541)882-3451
FAX: (541)850-2609

JELD-WEN
WINDOWS & DOORS

REMARKS	BY	DATE
Add Vent Lite Option	GL	5/5/14
Add ADA, Multi-Point & Fixed Sidelite	GL	6/19/14
Reference DWG. #A010866B	AM	09/11/19

THE INSTALLATION DETAILS DESCRIBED HEREIN ARE GENERIC AND MAY NOT REFLECT ACTUAL CONDITIONS FOR A SPECIFIC SITE. IF SITE CONDITIONS CAUSE INSTALLATION TO DEVIATE FROM THE REQUIREMENTS DETAILED HEREIN, A LICENSED ENGINEER OR ARCHITECT SHALL PREPARE SITE SPECIFIC DOCUMENTS FOR USE WITH THIS DOCUMENT.



DATE: 02.05.14

DWG. BY: GL/TJM | CHK. BY: SS/MSS

SCALE: NTS

DWG. #: D015712

SHEET: OF 10

PREPARED BY:



BUILDING DROPS, INC.
 398 E. DANIA BEACH BLVD., STE. 338
 DANIA BEACH, FL 33004
 PH: (954)399-8478
 FAX: (954)744-4738
 WEB: www.buildingdrops.com

DESIGN PRO/SMOOTH PRO FULL LITE
 NON-IMPACT

HORIZONTAL ASSEMBLIES

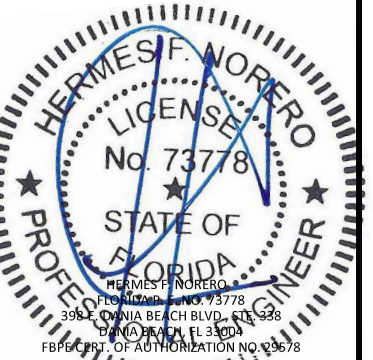
3737 LAKEPORT BLVD.,
 KLAMATH FALLS, OR 97601
 PH: (541)882-3451
 FAX: (541)850-2609

JELD-WEN
 WINDOWS & DOORS

TITLE:

REMARKS	BY	DATE
Add Vent Lite Option	GL	5/5/14
Add ADA, Multi-Point & Fixed Sidelite	GL	6/19/14
Reference DWG. #A010866B	AM	09/11/19

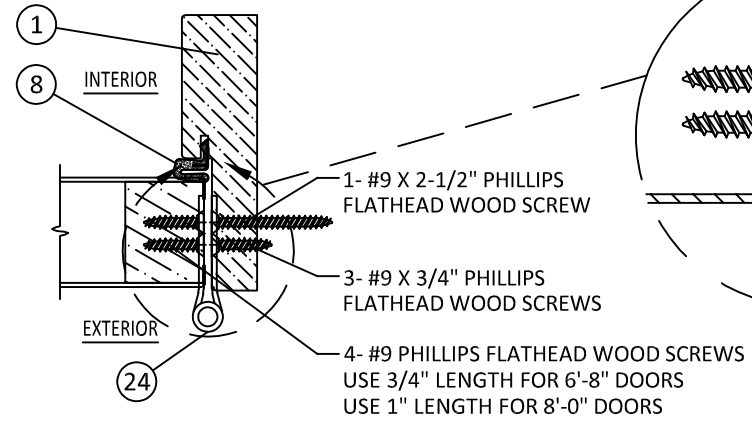
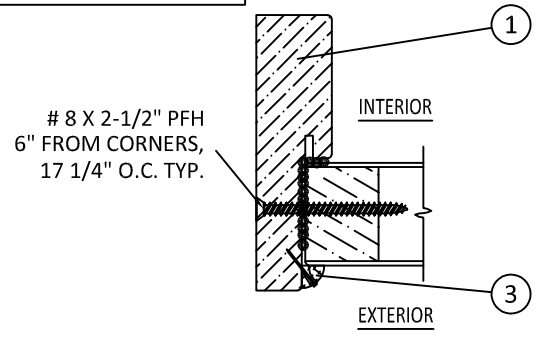
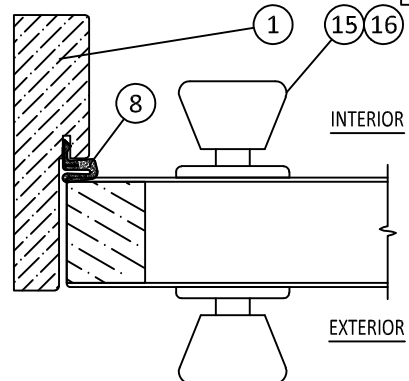
THE INSTALLATION DETAILS DESCRIBED HEREIN ARE GENERIC AND MAY NOT REFLECT ACTUAL CONDITIONS FOR A SPECIFIC SITE. IF SITE CONDITIONS CAUSE INSTALLATION TO DEVIATE FROM THE REQUIREMENTS DETAILED HEREIN, A LICENSED ENGINEER OR ARCHITECT SHALL PREPARE SITE SPECIFIC DOCUMENTS FOR USE WITH THIS DOCUMENT.



DATE:	02.05.14
DWG. BY:	GL/TJM
CHK. BY:	SS/MSS
SCALE:	NTS
DWG. #:	D015712
SHEET:	OF 10

NOTE:
 HINGE AND LOCK ARE INTERCHANGEABLE
 AT THE MULLION.

HINGE DETAIL AT JAMB:
 PLACE #9 X 2-1/2" PFH SCREW
 NEXT TO WEATHERSTRIP

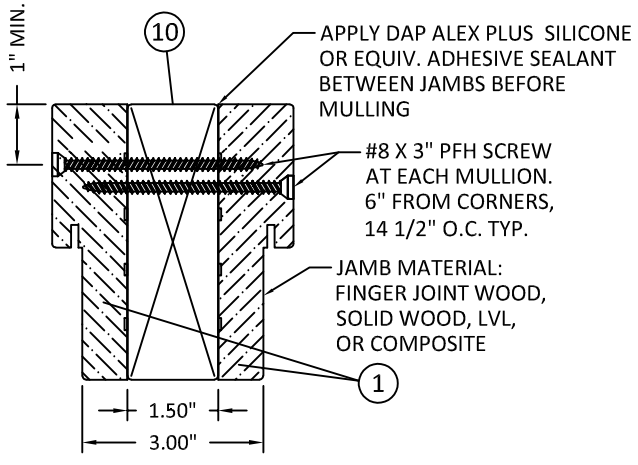
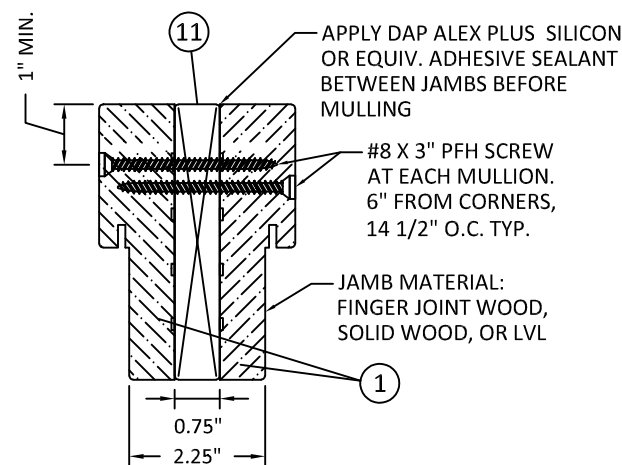
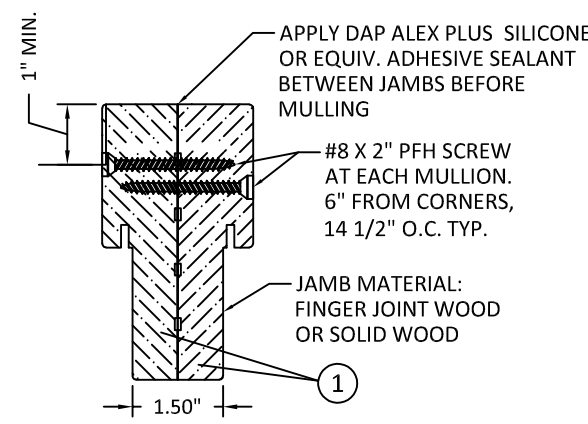


HINGE SCHEDULE	
DOOR HEIGHT	QUANTITY
6'-8"	3
8'-0"	4

1
7 LOCK JAMB
 OUTSWING SHOWN - INSWING SIMILAR

2
7 FIXED JAMB
 OUTSWING SHOWN - INSWING SIMILAR

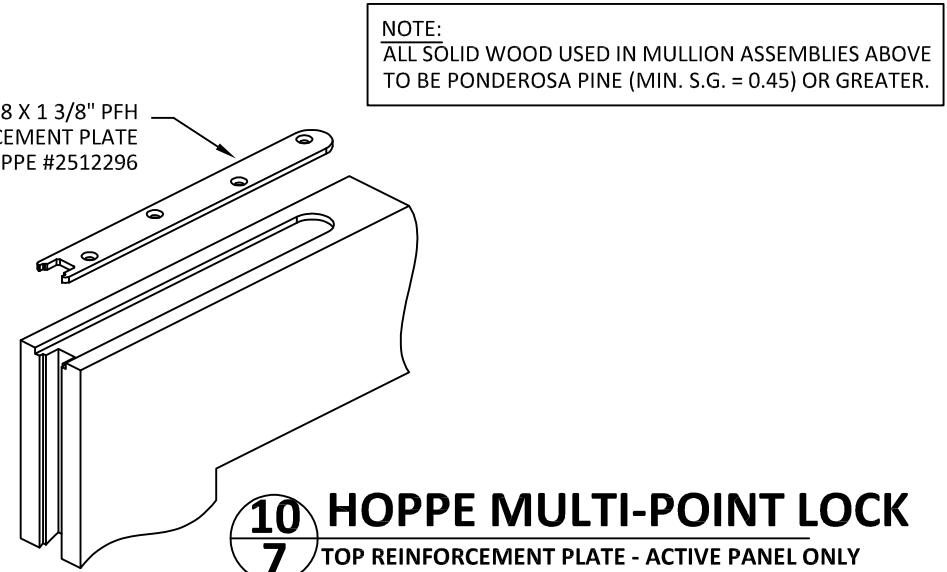
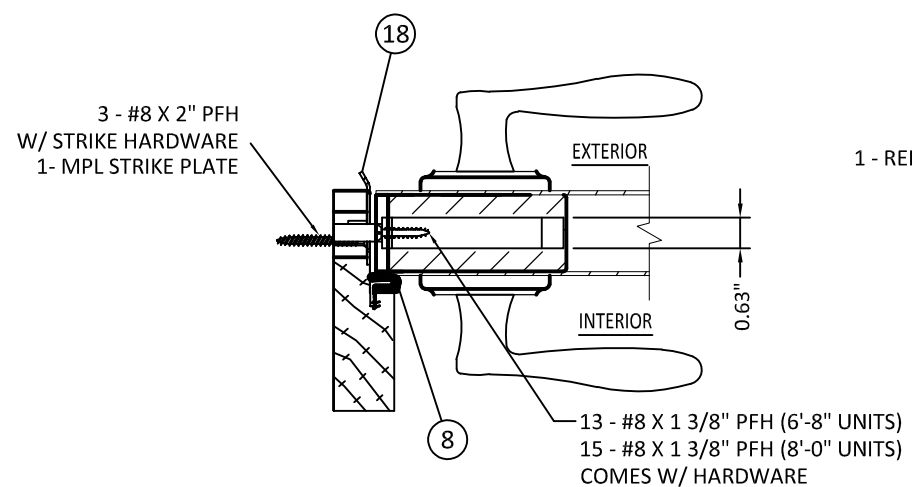
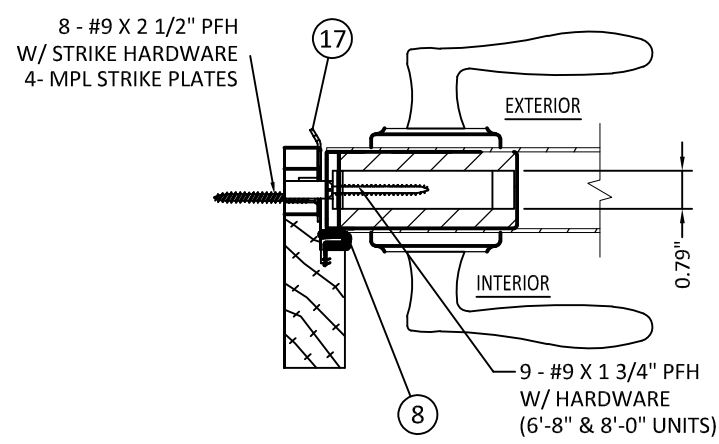
3
7 HINGE JAMB
 OUTSWING SHOWN - INSWING SIMILAR



4
7 BACK-TO-BACK JAMB
 NO MULLION REINFORCEMENT

5
7 BACK-TO-BACK JAMB
 1X MULLION REINFORCEMENT

6
7 BACK-TO-BACK JAMB
 2X MULLION REINFORCEMENT



8
7 ROCKWELL MULTI-POINT LOCK
 OUTSWING SHOWN - INSWING SIMILAR

9
7 HOPPE MULTI-POINT LOCK
 OUTSWING SHOWN - INSWING SIMILAR

10
7 HOPPE MULTI-POINT LOCK
 TOP REINFORCEMENT PLATE - ACTIVE PANEL ONLY

PREPARED BY:



BUILDING DROPS, INC.
 398 E. DANIA BEACH BLVD., STE. 338
 DANIA BEACH, FL 33004
 PH: (954)399-8478
 FAX: (954)744.4738
 WEB: www.buildingdrops.com

DESIGN PRO/SMOOTH PRO FULL LITE
 NON-IMPACT
 WOOD SUBSTRATES

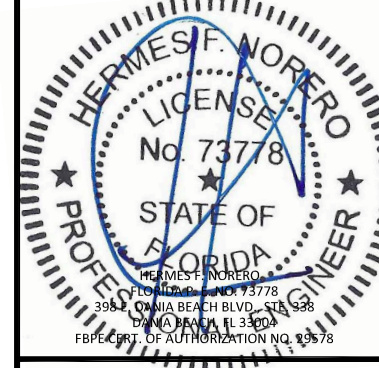
3737 LAKEPORT BLVD.,
 KLAMATH FALLS, OR 97601
 PH: (541)882-3451
 FAX: (541)850-2609

JELD-WEN
 WINDOWS & DOORS

TITLE:

REMARKS	BY	DATE
Add Vent Lite Option	GL	5/5/14
Add ADA, Multi-Point & Fixed Sidelite	GL	6/19/14
Reference DWG. #A010866B	AM	09/11/19

THE INSTALLATION DETAILS DESCRIBED HEREIN ARE GENERIC AND MAY NOT REFLECT ACTUAL CONDITIONS FOR A SPECIFIC SITE. IF SITE CONDITIONS CAUSE INSTALLATION TO DEVIATE FROM THE REQUIREMENTS DETAILED HEREIN, A LICENSED ENGINEER OR ARCHITECT SHALL PREPARE SITE SPECIFIC DOCUMENTS FOR USE WITH THIS DOCUMENT.



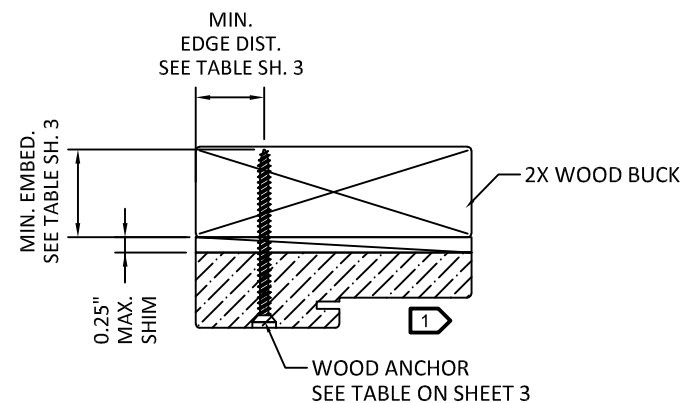
DATE: 02.05.14

DWG. BY: GL/TJM | CHK. BY: SS/MSS

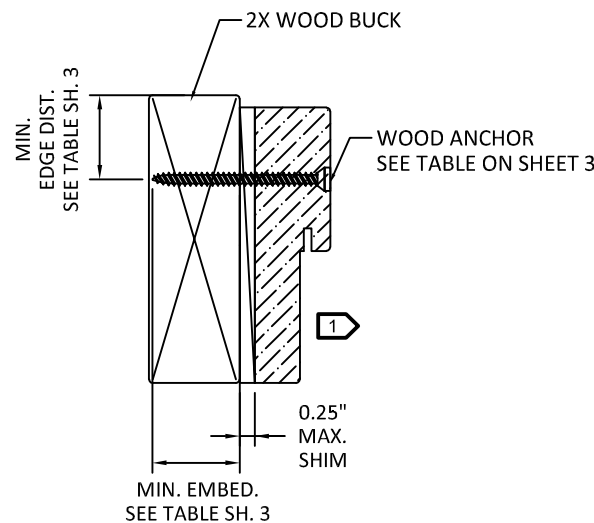
SCALE: NTS

DWG. #: D015712

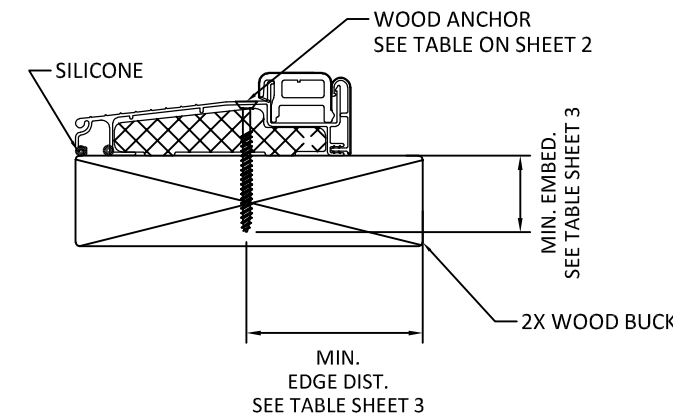
SHEET: OF 10



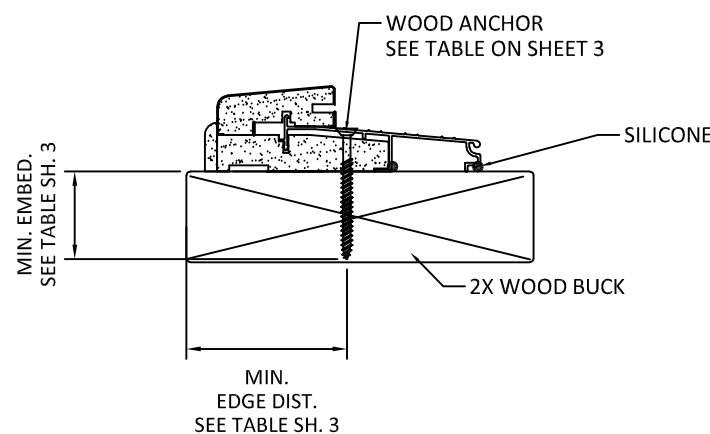
1
8 HEAD (TYPICAL)
 OUTSWING SHOWN - INSWING SIMILAR



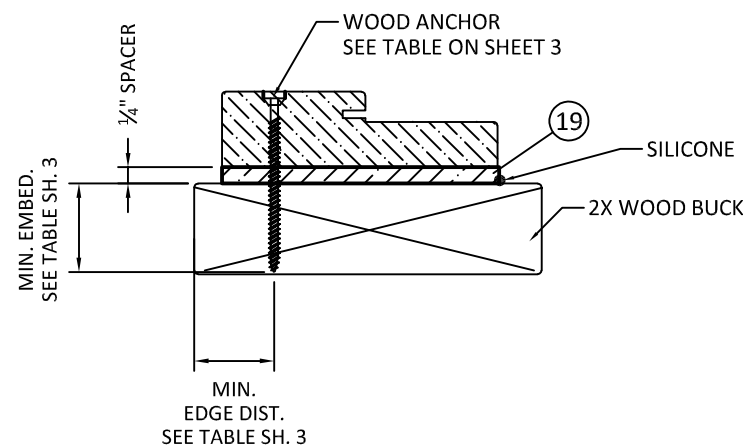
2
8 JAMB (TYPICAL)
 OUTSWING SHOWN - INSWING SIMILAR



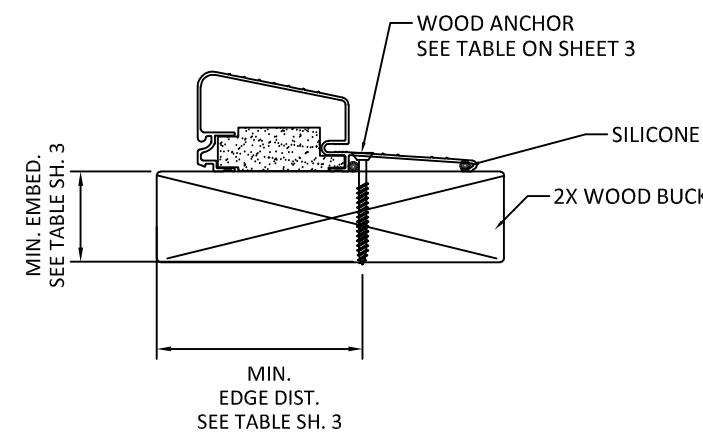
3
8 OPERABLE SILL
 INSWING



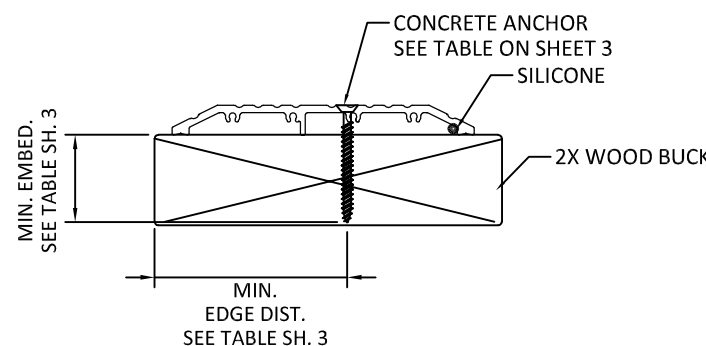
4
8 OPERABLE SILL
 OUTSWING



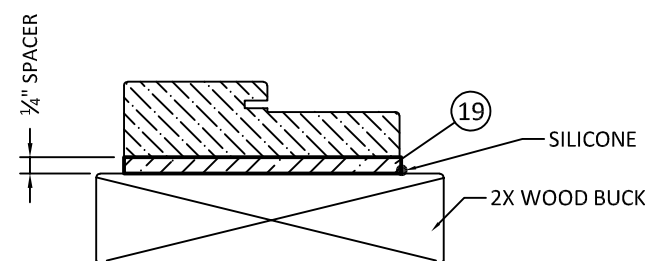
5
8 SIDELITE SILL (MULLED UNIT)
 OUTSWING SHOWN - INSWING SIMILAR



7
8 OPERABLE SILL
 HIGH BUMP OUTSWING
 AFCO H-497



8
8 OPERABLE ADA SILL
 INSWING/OUTSWING



9
8 SIDELITE SILL (STAND-ALONE)
 OUTSWING SHOWN - INSWING SIMILAR
 NO ANCOR REQUIRED

1 OPTIONALLY, ANCHOR CAN BE PLACED IN NARROW SECTION OF HEAD OR JAMB AS LONG AS MINIMUM EMBEDMENT AND EDGE DISTANCE ARE ACHIEVED.

PREPARED BY:



BUILDING DROPS, INC.
 398 E. DANIA BEACH BLVD., STE. 338
 DANIA BEACH, FL 33004
 PH: (954)399-8478
 FAX: (954)744-4738
 WEB: www.buildingdrops.com

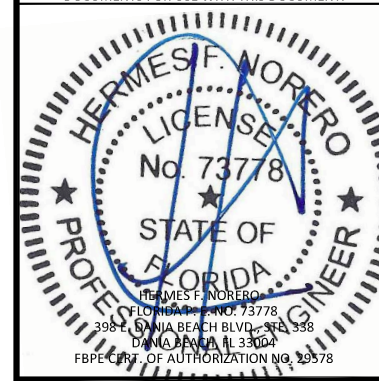
TITLE: DESIGN PRO/SMOOTH PRO FULL LITE
 NON-IMPACT
 CONCRETE SUBSTRATES

3737 LAKEPORT BLVD.,
 KLAMATH FALLS, OR 97601
 PH: (541)882-3451
 FAX: (541)850-2609

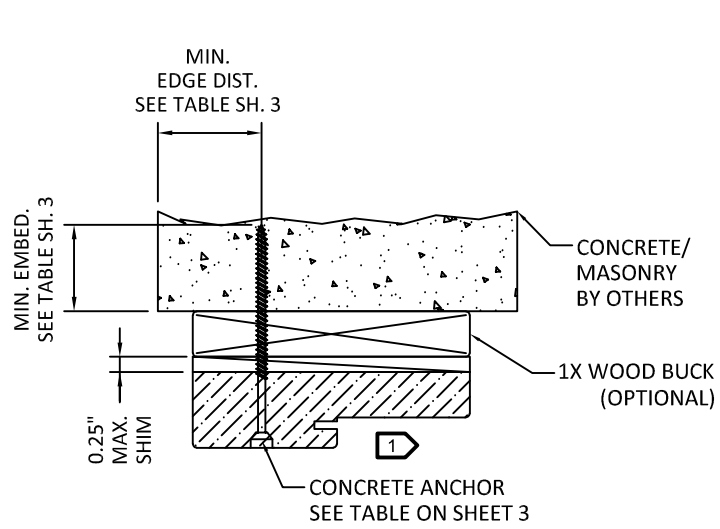
JELD-WEN
 WINDOWS & DOORS

REMARKS	BY	DATE
Add Vent Lite Option	GL	5/5/14
Add ADA, Multi-Point & Fixed Sidelite	GL	6/19/14
Reference DWG. #A010866B	AM	09/11/19

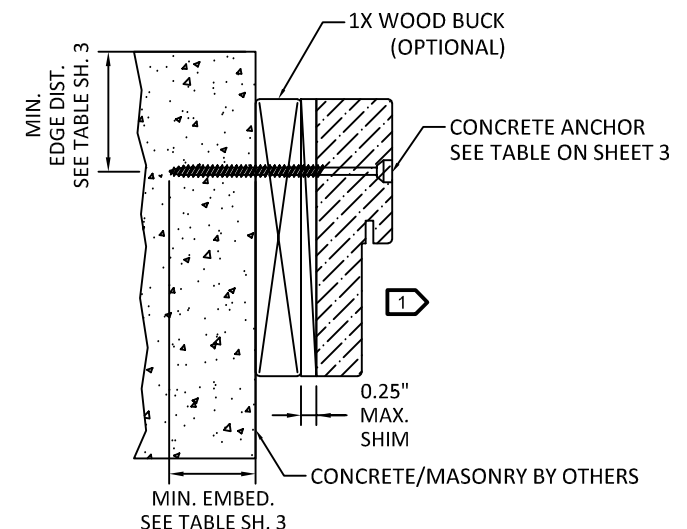
THE INSTALLATION DETAILS DESCRIBED HEREIN ARE GENERIC AND MAY NOT REFLECT ACTUAL CONDITIONS FOR A SPECIFIC SITE. IF SITE CONDITIONS CAUSE INSTALLATION TO DEVIATE FROM THE REQUIREMENTS DETAILED HEREIN, A LICENSED ENGINEER OR ARCHITECT SHALL PREPARE SITE SPECIFIC DOCUMENTS FOR USE WITH THIS DOCUMENT.



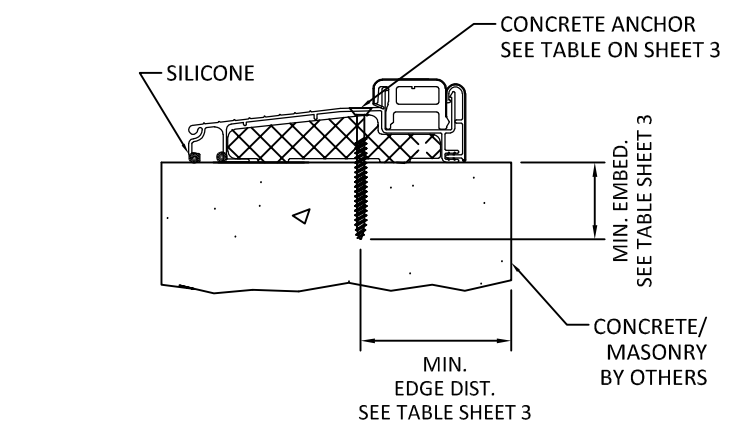
DATE: 02.05.14	
DWG. BY: GL/TJM	CHK. BY: SS/MSS
SCALE: NTS	
DWG. #: D015712	
SHEET: OF 10	



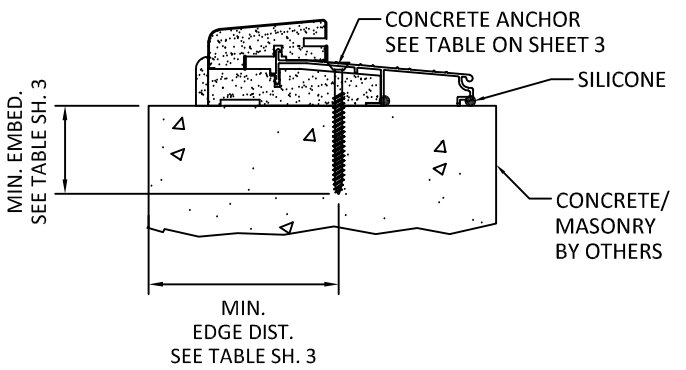
1
9 HEAD (TYPICAL)
 OUTSWING SHOWN - INSWING SIMILAR



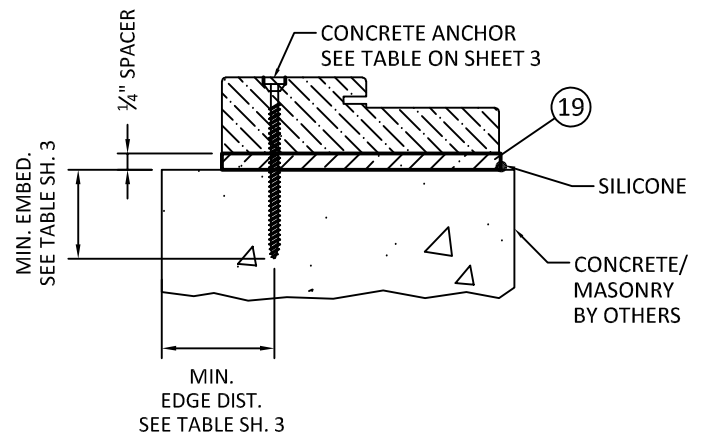
2
9 JAMB (TYPICAL)
 OUTSWING SHOWN - INSWING SIMILAR



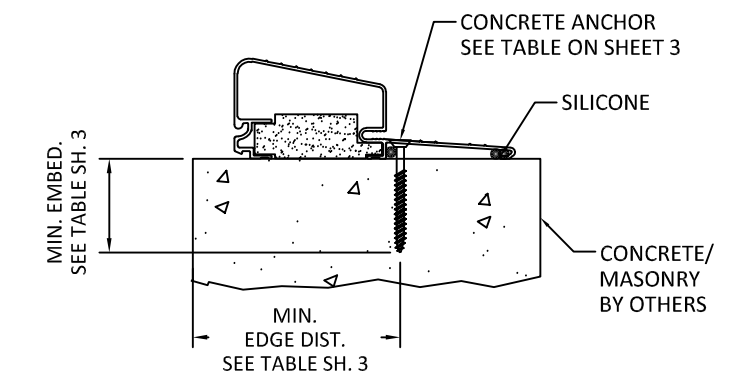
3
9 OPERABLE SILL
 INSWING



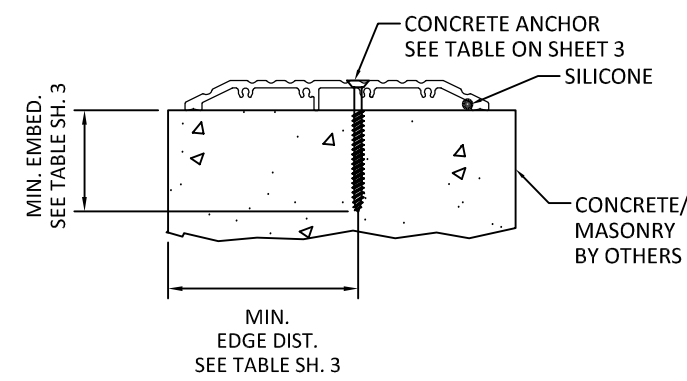
4
9 OPERABLE SILL
 OUTSWING



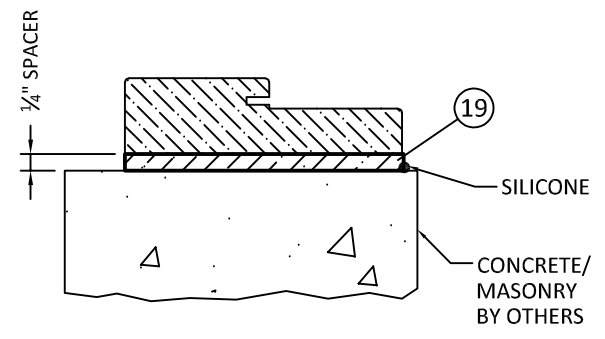
5
9 SIDELITE SILL (MULLED UNIT)
 OUTSWING SHOWN - INSWING SIMILAR



7
9 OPERABLE SILL
 HIGH BUMP OUTSWING
 AFCO H-497



8
9 OPERABLE SILL
 OUTSWING/INSWING

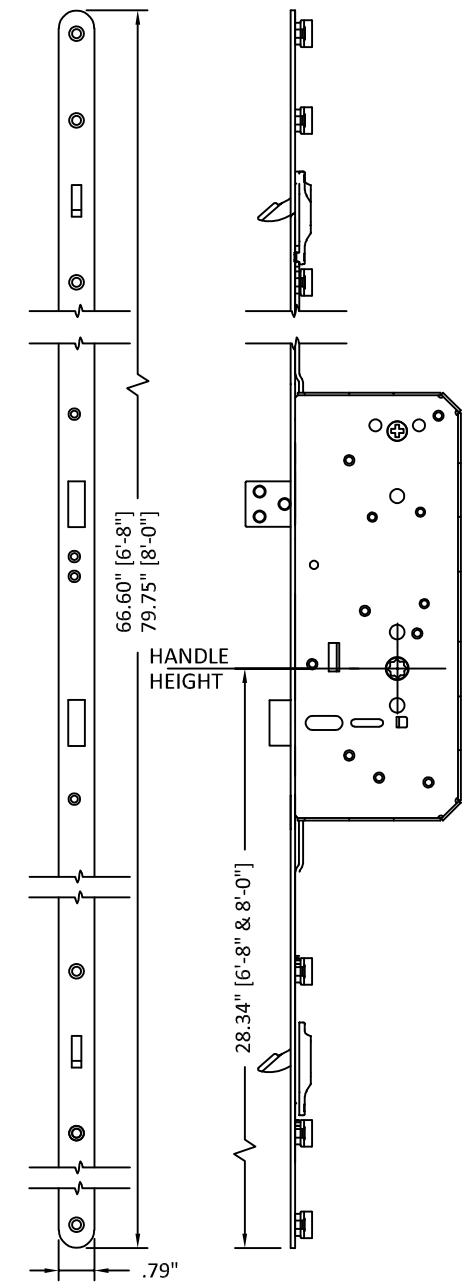


9
8 SIDELITE SILL (STAND-ALONE)
 OUTSWING SHOWN - INSWING SIMILAR
 NO ANCOR REQUIRED

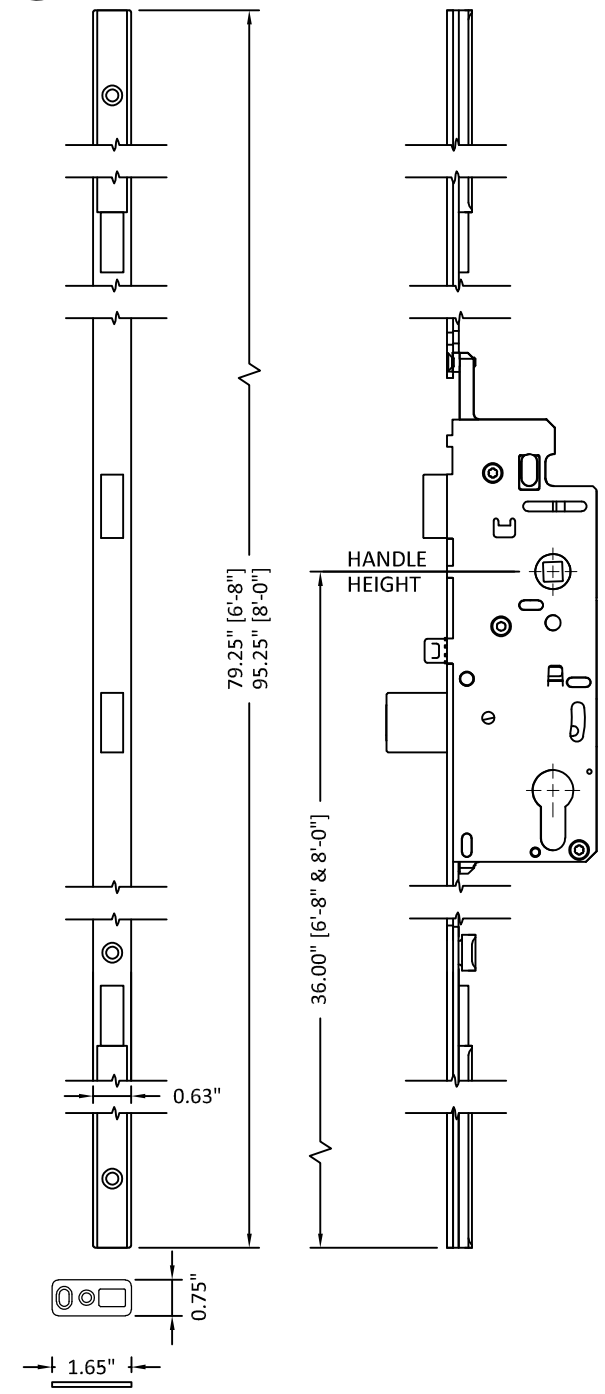
1 OPTIONALLY, ANCHOR CAN BE PLACED IN NARROW SECTION OF HEAD OR JAMB AS LONG AS MINIMUM EMBEDMENT AND EDGE DISTANCE ARE ACHIEVED.

BILL OF MATERIALS		
ITEM#	DESCRIPTION	MATERIAL
1	FRAME HEAD/JAMBS	FINGER-JOINTED PINE
		SOLID PINE
		LAMINATED VENEER LUMBER
		COMPOSITE
2	(NOT USED)	-
3	SIDELITE STOP	WOOD OR PVC
4	THRESHOLD	-
5	THRESHOLD	-
6	ADA THRESHOLD	-
7	AFCO H-497 THRESHOLD	-
8	WEATHERSTRIP	URETHANE FOAM & POLYETHYLENE
9	NON-COMPRESSION SHIM (0.25" MAX. THK.)	COMPOSITE
10	2X WOOD (S.G. MUST BE 0.55 OR GREATER)	WOOD
11	1X WOOD (S.G. MUST BE 0.55 OR GREATER)	WOOD
12	#10 WOOD INSTALLATION SCREW W/ 1 1/2" MIN. EMBEDMENT	STEEL
13	CONC./CMU ANCHOR (SEE ANCHOR TABLE SHEETS 3 & 5)	STEEL
14	(NOT USED)	-
15	LOCK SERIES 400	STEEL
16	DEADBOLT SERIES 780	STEEL
17	ROCKWELL MULTI-POINT TONGUE LATCH # 73228768 6-8 UNIT ROCKWELL MULTI-POINT TONGUE LATCH #73228780 8-0 UNIT	STEEL
18	HOPPE MULTI-POINT HARDWARE HLS9000 SINGLE SWING (X)	STEEL
19	PRESSURE TREATED SILL SPACER USED FOR FIXED PANEL	WOOD
20	ODL LITE KIT (LMI)	HP POLYPRO. / PC ABS
21	FLUSH GLAZING LEG	FIBERGLASS
22	ODL LIPLITE KIT (VENT LITES)	HP POLYPROPYLENE
23	ODL LIPLITE KIT (RADIUS LITES)	HP POLYPRO. / PC ABS
24	BUTT HINGE (SEE SCHEDULE SHEET 7)	STEEL
25	HOPPE MULTI-POINT HEAD SHOOT BOLT PLATE LH #8784091	STEEL
26	HOPPE MULTI-POINT HEAD SHOOT BOLT PLATE RH #8783923	STEEL
27	PU DOOR CORE	

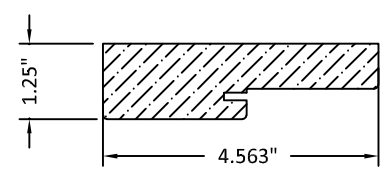
17 ROCKWELL MULTI-POINT LOCK



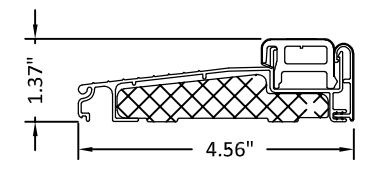
18 HOPPE MULTI-POINT LOCK W/ SILL SHOOT BOLT PLATE #2098911



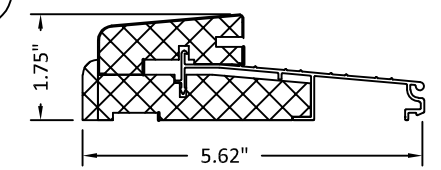
1 FRAME HEAD/JAMBS VARIES, SEE BOM ABOVE



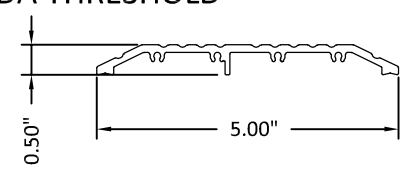
4 THRESHOLD



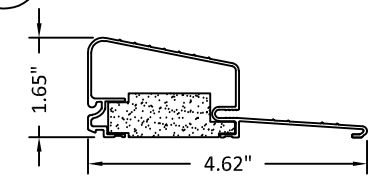
5 THRESHOLD



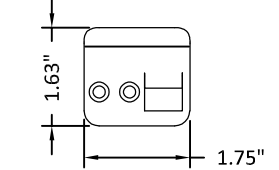
6 ADA THRESHOLD



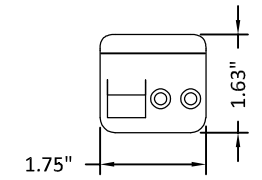
7 AFCO H-497 THRESHOLD



25 HEAD SHOOT BOLT PLATE (LH)



26 HEAD SHOOT BOLT PLATE (RH)



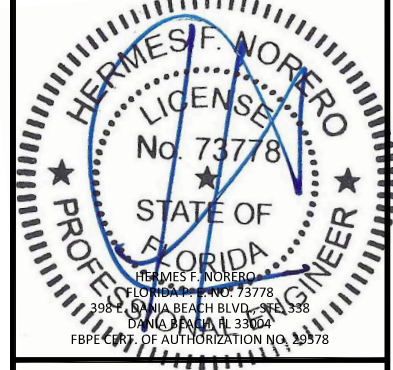
PREPARED BY:

BUILDING DROPS, INC.
 398 E. DANIA BEACH BLVD., STE. 338
 DANIA BEACH, FL 33004
 PH: (954)399-8478
 FAX: (954)744.4738
 WEB: www.buildingdrops.com

TITLE: DESIGN PRO/SMOOTH PRO FULL LITE NON-IMPACT
 COMPONENTS AND BILL OF MATERIALS
 3737 LAKEPORT BLVD.,
 KLAMATH FALLS, OR 97601
 PH: (541)882-3451
 FAX: (541)850-2609
JELD-WEN
 WINDOWS & DOORS

REMARKS	BY	DATE
Add Vent Lite Option	GL	5/5/14
Add ADA, Multi-Point & Fixed Sidelite	GL	6/19/14
Reference DWG. #A010866B	AM	09/11/19

THE INSTALLATION DETAILS DESCRIBED HEREIN ARE GENERIC AND MAY NOT REFLECT ACTUAL CONDITIONS FOR A SPECIFIC SITE. IF SITE CONDITIONS CAUSE INSTALLATION TO DEVIATE FROM THE REQUIREMENTS DETAILED HEREIN, A LICENSED ENGINEER OR ARCHITECT SHALL PREPARE SITE SPECIFIC DOCUMENTS FOR USE WITH THIS DOCUMENT.



DATE: 02.05.14
 DWG. BY: GL/TJM
 CHK. BY: SS/MSS
 SCALE: NTS
 DWG. #: D015712
 SHEET: OF 10